

WALK-IN SHOWERS

SHOWER CHANNEL DOCIA® / LOW-HEIGHT SHOWER CHANNEL DOCIA®-XS



Nicoll
by aliaxis

DOCIA® WALK-IN SHOWERS

DOCIA® CHANNEL: the aesthetic solution for walk-in showers

The DOCIA® range offers a multitude of innovative, reliable aesthetic solutions to meet the style and technical requirements of all your bathroom projects. Our channel solutions are completely safe with the built-in slope preventing any build up of stagnant water and with a 50 mm water seal eliminating odours.



Simple & Attractive

DOCIA®-XS LOW-HEIGHT CHANNEL

Nicoll low-height Docia®-XS channels are just 69 mm high, making them ideal for sites where a height limited recess is a must. They feature an odour tightness system combining a 30mm water seal height and an air admittance valve able to resist pressure and comply with the EN1253 requirements. This low-height channel offers a flow rate of 0.44 l/s (or 26.5 l/min).

Reduced height to limit recess height:



Convenient & Effective

DOCIA® 40 CM LENGTH CHANNEL

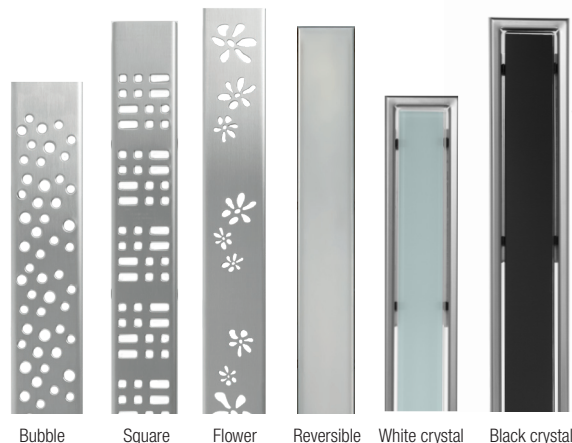
The new 40 cm long channel is an attractive, original and simple solution that retains all the technical benefits of the standard range of channels:

- can be located centrally or against the wall
- guaranteed watertightness thanks to the clamping flange for the sealing membrane
- easy to install, adjustable frame height and feet
- hygienic and easy to clean thanks to its fully removable trap
- high drainage flow rate: 0.66 l/sec (or 40 l/min)
- 50 mm water seal height
- reliable solvent weld connection in a slab.

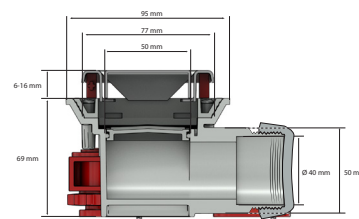
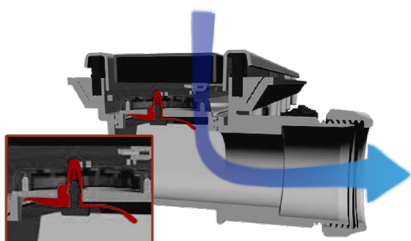


CHANNELS WITH 50 MM WIDE GRATINGS

- channel lengths available (40-70-80-90-100 cm)
- 6 models of gratings.



RESISTANT TO AIR DEPRESSION AND PROTECTS AGAINST ODOURS



Characteristics	Specifications
Trap seal resistance	NF EN 1253-1 ≥ 400 Pa
Odour tightness	NF EN 1253-1 ≥ 180 Pa

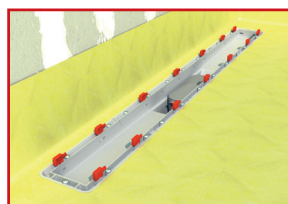
The odour tightness system combines a 30mm water seal height and an air admittance valve able to resist pressure and comply with the EN1253 requirements. When air depression occurs in the system, the membrane opens and allows air into the system without emptying the trap seal, like an Air Admittance Valve.

A TECHNICAL SHOWER CHANNEL



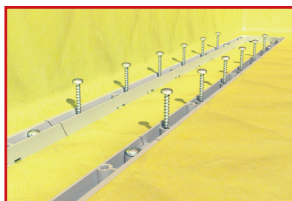
TO BE FIXED TO THE WALL WITHOUT UNSIGHTLY CUTTING:

- reduced-width plate
- adjustable feet



POSITION HEIGHT ADJUSTMENT (6/8/10/12/16 mm):

- from mosaics to large tiles.



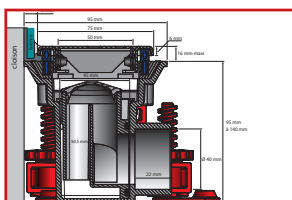
NO COMPROMISE ON SEAL PERFORMANCE:

- reliable solvent weld connection in a slab
- clamping flange for the sealing membrane.



HIGH DRAINAGE FLOW RATE:

- 0,44 l/sec for the low height channel
- 0,66 l/sec for the original channel



ODOUR TIGHTNESS SYSTEM:

- 50 mm water seal for the original channel
- 30 mm water seal + odour tightness system for the low-height channel



HYGIENIC AND EASY TO CLEAN:

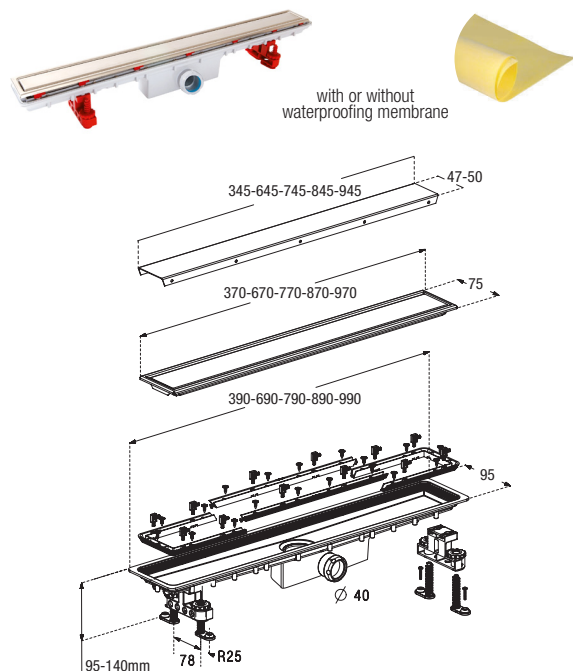
- built-in slope to prevent stagnant water formation
- trap can be extracted for cleaning.

Shower channels **DOCIA** SYSTEMES

SHOWER CHANNELS, MONOBLOC PLASTIC BODY - GRATING WIDTH 50 MM

> SHOWER CHANNELS WITH REVERSIBLE GRATING, WITH OR WITHOUT WATERPROOFING MEMBRANE

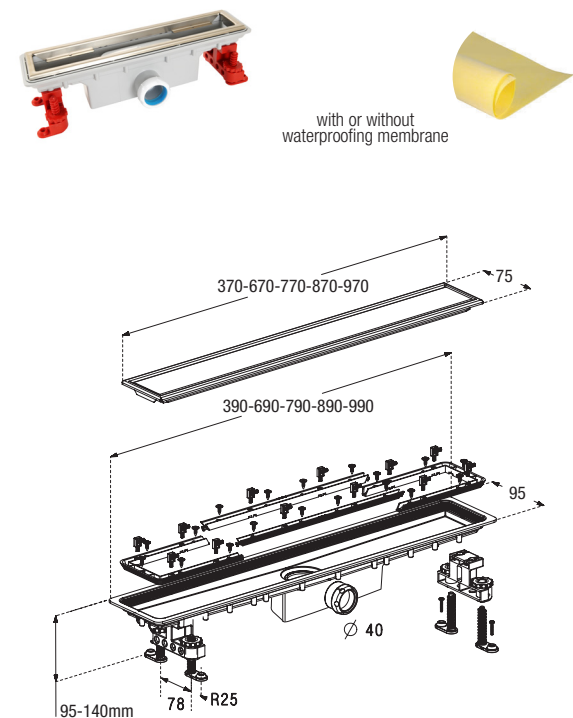
50 mm water seal - 0.66 l/s flow rate - Ø 40 mm socket outlet to be solvent welded or screwed (compression) Height 95 to 140 mm - Width (mm) body 95 / frame 75 / grating 47
 Supplied with body, flange, screws, studs to adjust height of frame and grating, adjustment feet, trap, frame and 304 stainless steel reversible model grating for the full model.



Ref.	Packing	waterproofing membrane	Width (mm) mini shower	Length (mm)		Body
				Grating	Frame	
SICANC70R	B1		700	670	690	
SICANAT70R	B1	Yes	700	670	690	
SICANC80R	B1		800	770	790	
SICANATC80R	B1	Yes	800	770	790	
SICANC90R	B1		900	870	890	
SICANATC90R	B1	Yes	900	870	890	
SICANC100R	B1		1000	970	990	
SICANATC100R	B1	Yes	1000	970	990	

> CHANNEL BODIES WITHOUT GRATING, WITH OR WITHOUT WATERPROOFING MEMBRANE

50 mm water seal - 0.66 l/s flow rate - Ø 40 mm socket outlet to be solvent welded or screwed (compression) - Height 95 to 140 mm - Width (mm) body 95 / frame 75
 Supplied without stainless steel grating, with body, flange, screws, studs to adjust height of frame and grating, adjustment feet, trap, 304 stainless steel frame.





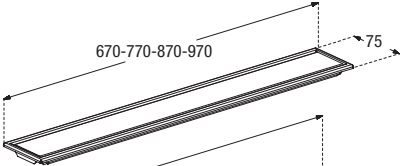

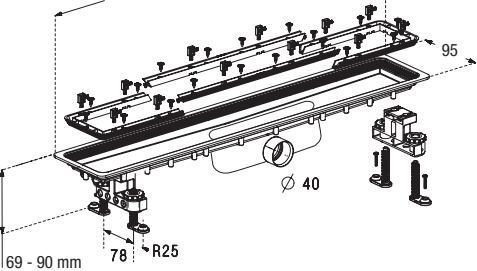
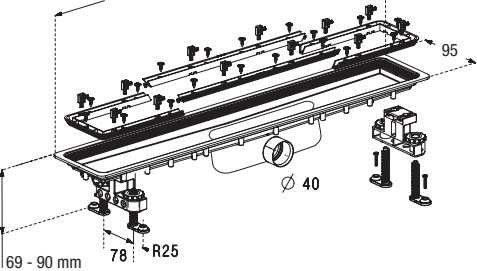
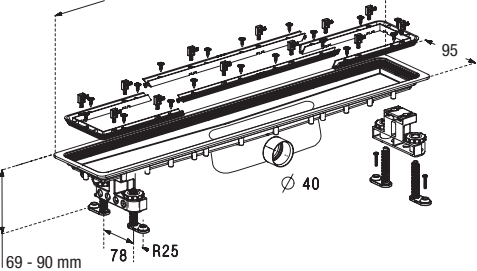
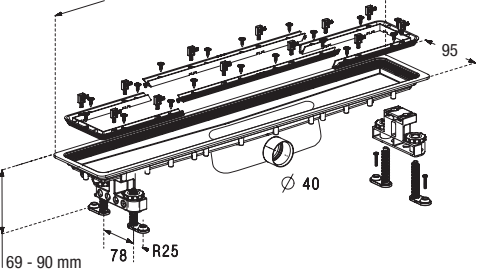
Ref.	Packing	waterproofing membrane	Width (mm) mini shower	Length (mm)		Body
				Frame	Grating	
SICANC40	B1		400	370	390	
SICANC70	B1		700	670	690	
SICANATC70	B1	Yes	700	670	690	
SICANC80	B1		800	770	790	
SICANATC80	B1	Yes	800	770	790	
SICANC90	B1		900	870	890	
SICANATC90	B1	Yes	900	870	890	
SICANC100	B1		1000	970	990	
SICANATC100	B1	Yes	1000	970	990	

DOCIA® WALK-IN SHOWERS



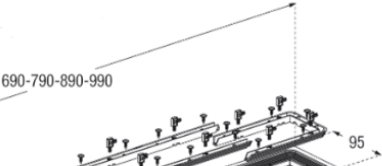
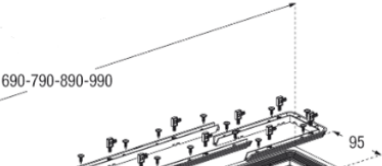
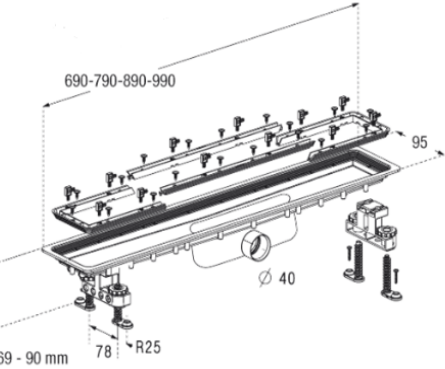
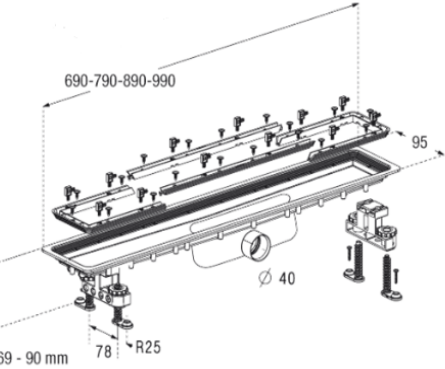
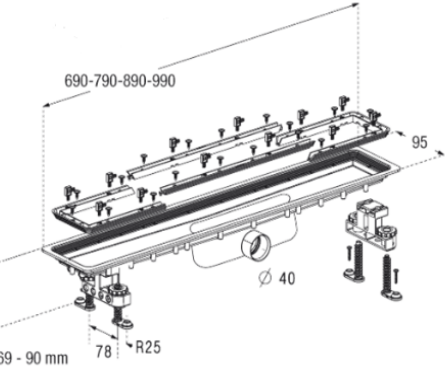
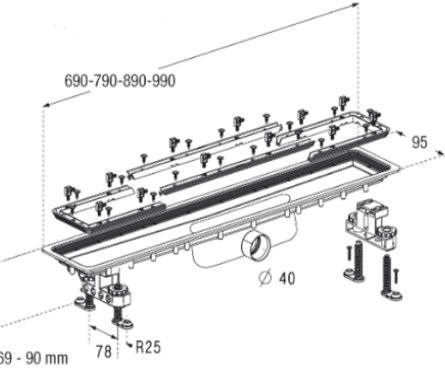
Low-height shower channels DOCIA XS

SHOWER CHANNELS, MONOBLOC PLASTIC BODY - GRATING WIDTH 50 MM

> LOW-HEIGHT SHOWER CHANNELS WITH REVERSIBLE GRATING, WITH OR WITHOUT WATERPROOFING MEMBRANE

	Length (mm)		Width (mm) mini shower	waterproofing membrane	Packing	Ref.
	Body	Frame				
30 mm water seal + air admittance valve - 0,44 l/s flow rate - Ø 40 mm socket outlet to be solvent welded or screwed (compression) - Height 69 to 90 mm - Width (mm) body 95 / frame 75 / grating 47 - Supplied with body, flange, screws, studs to adjust height of frame and grating, trap, frame. and 304 stainless steel reversible grating for the full model.						
	690	670	645	700	B1	SICANCFH70R
	690	670	645	700	Yes	SICANATCFH70R
	790	770	745	800	B1	SICANCFH80R
	790	770	745	800	Yes	SICANATCFH80R
	890	870	845	900	B1	SICANCFH90R
	890	870	845	900	Yes	SICANATCFH90R
	990	970	945	1000	B1	SICANCFH100R
	990	970	945	1000	Yes	SICANATCFH10R



> LOW-HEIGHT CHANNELS BODY WITHOUT GRATING, WITH OR WITHOUT WATERPROOFING MEMBRANE

	Length (mm)		Width (mm) mini shower	waterproofing membrane	Packing	Ref.
	Body	Frame				
30 mm water seal + air admittance valve - 0,44 l/s flow rate - Ø 40 mm socket outlet to be solvent welded or screwed (compression) - Height 69 to 90 mm - Width (mm) body 95 / frame 75 Supplied without stainless steel grating, with body, flange, screws, studs to adjust height of frame and grating, adjustment feet, trap, 304 stainless steel frame.						
	690	670	700		B1	SICANCFH70
	690	670	700	Yes	B1	SICANATCFH70
	790	770	800		B1	SICANCFH80
	790	770	800	Yes	B1	SICANATCFH80
	890	870	900		B1	SICANCFH90
	890	870	900	Yes	B1	SICANATCFH90
	990	970	1000		B1	SICANCFH100
	990	970	1000	Yes	B1	SICANATCFH100

Shower channels DOCIA SYSTEMES





SHOWER CHANNELS, MONOBLOC PLASTIC BODY - GRATING WIDTH 50 MM

> CRYSTAL GRATINGS

	Length (mm)	Width (mm)	compatibility	Width (mm) mini shower	Packing	Packaging	Ref.
 White crystal  Black crystal	645	47	Grating for SICANC70, SICANCFH70	700	B1		GSICAN70BL
	745	47	Grating for SICANC80, SICANCFH80	800	B1		GSICAN80BL
	845	47	Grating for SICANC90, SICANCFH90	900	B1		GSICAN90BL
	945	47	Grating for SICANC100, SICANCFH100	1000	B1		GSICAN100BL
	645	47	Grating for SICANC70, SICANCFH70	700	B1		GSICAN70NO
	745	47	Grating for SICANC80, SICANCFH80	800	B1		GSICAN80NO
	845	47	Grating for r SICANC90, SICANCFH90	900	B1		GSICAN90NO
	945	47	Grating for SICANC100, SICANCFH100	1000	B1		GSICAN100NO

The stainless steel frame surrounding the grating is supplied with the channel body.

> 304 STAINLESS STEEL


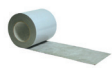



	Length (mm)	Width (mm)	compatibility	Width (mm) mini shower	Packing	Packaging	Ref.
 Reversible  Square  Bubble  Flower	345	47	Grating for SICANC40	400	B1		GSICAN40R
	645	47	Grating for SICANC70, SICANCFH70	700	B1		GSICAN70R
	745	47	Grating for SICANC80, SICANCFH80	800	B1		GSICAN80R
	845	47	Grating for SICANC90, SICANCFH90	900	B1		GSICAN90R
	945	47	Grating for SICANC100, SICANCFH100	1000	B1		GSICAN100R
	345	50	Grating for SICANC40	400	B1		GSICAN40C
	645	50	Grating for SICANC70, SICANCFH70	700	B1		GSICAN70C
	745	50	Grating for SICANC80, SICANCFH80	800	B1		GSICAN80C
	845	50	Grating for SICANC90, SICANCFH90	900	B1		GSICAN90C
	945	50	Grating for SICANC100, SICANCFH100	1000	B1		GSICAN100C
	345	50	Grating for SICANC40	400	B1		GSICAN40B
	645	50	Grating for SICANC70, SICANCFH70	700	B1		GSICAN70B
	745	50	Grating for SICANC80, SICANCFH80	800	B1		GSICAN80B
	845	50	Grating for SICANC90, SICANCFH90	900	B1		GSICAN90B
	945	50	Grating for SICANC100, SICANCFH100	1000	B1		GSICAN100B
	345	50	Grating for SICANC40	400	B1		GSICAN40F
645	50	Grating for SICANC70, SICANCFH70	700	B1		GSICAN70F	
745	50	Grating for SICANC80, SICANCFH80	800	B1		GSICAN80F	
845	50	Grating for SICANC90, SICANCFH90	900	B1		GSICAN90F	
945	50	Grating for SICAN100, SICANCFH100	1000	B1		GSICAN100F	

The stainless steel frame surrounding the grating is supplied with the channel body.

Sealing accessories

SEALING

> SEALING

	Length (mm)	Width (mm)	compatibility	Packing	Packaging	Ref.
 NAT15063  BANBUTYL	1500	630	Sealing membrane	S1		NAT15063
	10000	150	Self-adhesive butyl sealant tape	F1		BANBUTYL
 NTFL  770  771	1800	1500	NTFL, non-woven sealing membrane, water-repellent, ready-to-tile.	S1		0411703
			770, internal corner	S1		0411587
			771, external corner	S1		0411588