

Valve Boxes

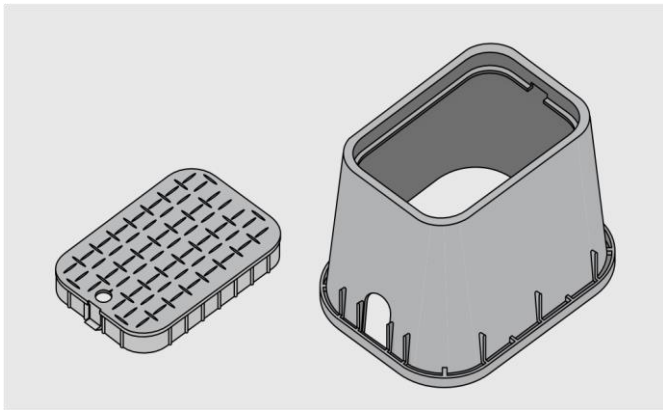
NDS[®] Standard Series

KEKALBOLEH SDN BHD
(199901021248/496148-K)
Lot No. 7, Lorong Perindustrian Kolombong Jaya,
Pusat Perindustrian Kolombong Jaya,
Mile 5.5, Jalan Kolombong,
88450 Kota Kinabalu, Sabah.
Tel/WhatsApp: 088-385555 / 013-8867570
Website: kekalboleh.com



High-quality valve boxes designed for longevity.

- ✓ Reinforced covers for heavy load.
- ✓ Integrated nut for bolt down capability.
- ✓ Overlapping covers prevent dirt and grass from settling in between body and cover.
- ✓ UV resistance.
- ✓ The bayonet twist-on cover ensures easy removal on 6" round covers.



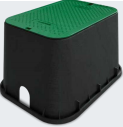


Applications

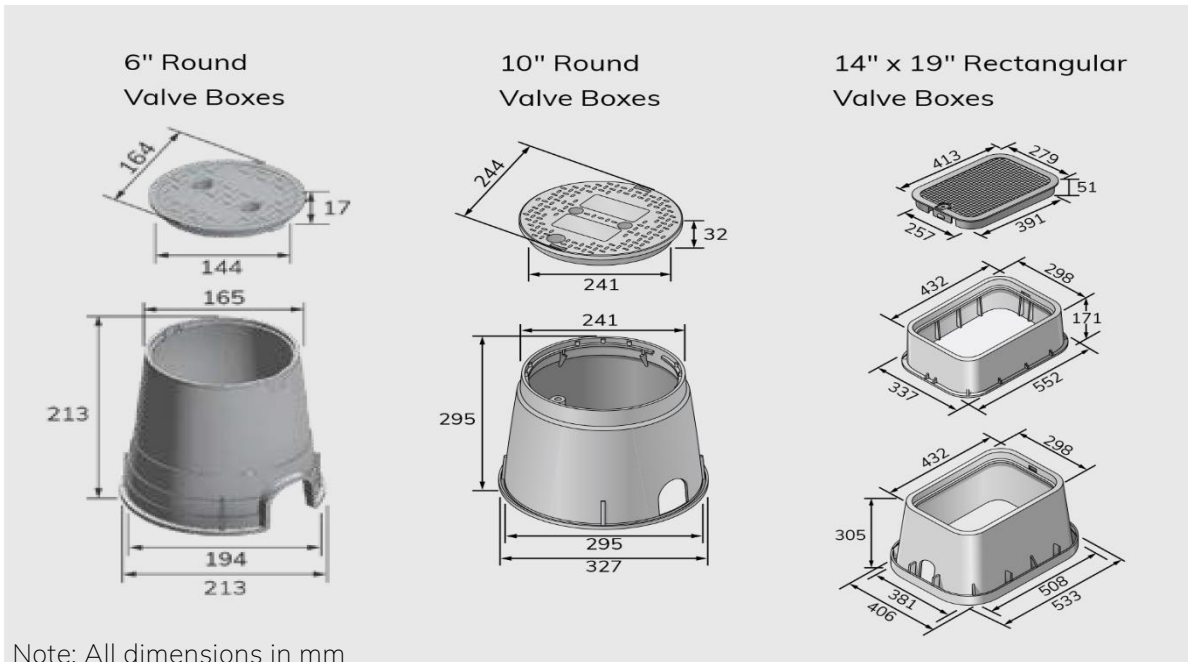
NDS Standard Series Valve Boxes are used in residential and commercial applications. They are designed to offer years of service under most demanding conditions and have designations for irrigation control valve and reclaimed water.

Material

One piece moulded of polyolefins (polyethylene and polypropylene). UV inhibitors added in to prevent discoloration and cracking

Product	Part Number	Description	Colour		Packaging details Pallet quantity (pcs)
			Box	Cover	
	07960200506	6" Round Valve Box	Black	Green	250
	07960200503		Green	Green	
	07960300531	10" Round Valve Box	Black	Green	180
	07960200504		Green	Green	
	07960300532	14' x 19" Rectangular Valve Box	Black	Green	84
	07960200505		Green	Green	

NDS Standard series dimensions



1-12-R-En_24-05-14