

CHECK VALVES

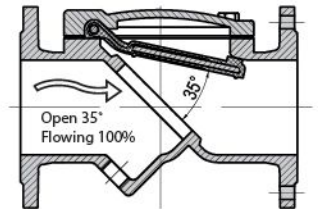
RUBBER FLAP TYPE NON RETURN SWING CHECK VALVE (NON-SLAM TYPE)



KEKALBOLEH SDN BHD
(199901021248/496148-K)
Lot No. 7, Lorong Perindustrian Kolombong Jaya,
Pusat Perindustrian Kolombong Jaya,
Mile 5.5, Jalan Kolombong,
88450 Kota Kinabalu, Sabah.
Tel/WhatsApp: 088-385555 / 013-8867570
Website: kekalboleh.com

In Brief

- ▶ For Water Hammer Prevention in Water & Sewage Applications
- ▶ Non-Slam Closing Characteristics is Provided Through A Short 35° Disc Stroke
- ▶ Working Pressure : 10/16 bar
- ▶ Shell Test Pressure : 15/24 bar
- ▶ Seat Test Pressure : 11/17.6 bar
- ▶ Working Temperature : ≤ 80°C
- ▶ Sealing : EPDM
- ▶ Coating : Fusion Bonded Epoxy
- ▶ Operating Test : From Fully Open to Fully Close Three Times



Standards

- ▶ Design : BS EN 12334 / BS EN 16767
- ▶ Test : EN 12266-1
- ▶ Flange : BS EN 1092-2
- ▶ Face to Face : BS EN 558-1

Features

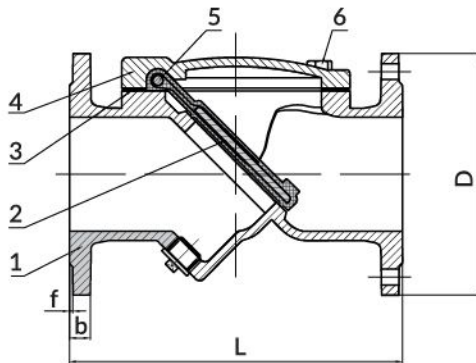
- ▶ Range of Valve Sizes : DN50 to DN800
- ▶ One Moving Part of Flexible Disc with Less Maintenance
- ▶ Designed for A Wider Body Area with Minimum Open Disc at Body Seat 45° Angle & Seat Equal to Full Port Area of the Pipe Size
- ▶ Full Size Top Access Port Area with Domed Shape Cover, Allowing for Easy Disc Replacement
- ▶ A Threaded Port with Plug at the Bottom of the Valve to Allow for Backflow Actuator Installation



LYE MANUFACTURING SDN.BHD. (197701001852 (32836-H))
Manufacturer of Valves, Hydrants, Joints, Fittings & Manhole Covers

RUBBER FLAP TYPE NON RETURN SWING CHECK VALVE (NON-SLAM TYPE)

Technical Table

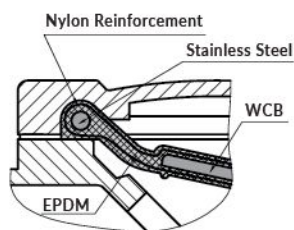


Parts List & Materials

No.	Component	Material	Standard Ref.
1	Body	Ductile Iron	BS EN 1563
2	Flapper	EDPM + Alloy Steel	BS EN 681 + WCB
3	Gasket	EDPM	BS EN 681
4	Bonnet	Ductile Iron	BS EN 1563
5	Pin	Stainless Steel	BS EN 10088-3
6	Bolt	Stainless Steel	BS EN 10088-3

Specifications & Parameters Chart

DN (mm)	L (mm)	D (mm)	b (mm)	f (mm)	Bolts
50	203	165	19	3	M16x4
65	216	185	19	3	M16x4
80	241	200	19	3	M16x8
100	292	220	19	3	M16x8
125	330	250	19	3	M16x8
150	356	285	19	3	M20x8
200	495	340	20	3	M20x12
250	622	400	22	3	M24x12
300	698	455	24.5	4	M24x12
350	787	520	26.5	4	M24x16
400	914	580	28	4	M27x16
450	965	640	30	4	M27x20
500	978	715	31.5	4	M30x20
600	1295	840	36	5	M33x20
700	1448	910	39.5	5	M33x24
800	1956	1025	43	5	M36x24



- ▶ The Disc is of One-Piece Construction, Precision Molded with an Integral O-Ring Type Sealing Surface
- ▶ The Flex Portion of the Disc Shall Be Warranted for 25 Years Against Tear-Off

Note: Technical data provided in this brochure is indicative only and may be subject to change without prior notice.