

# Manhole Cover & Frame with Hinge



**STANDARD: BS EN 124:1994 Gully Tops and Manhole Tops for Vehicular and Pedestrian Areas**

**BRAND : KUMBAHAN**

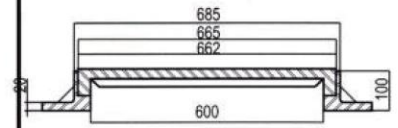
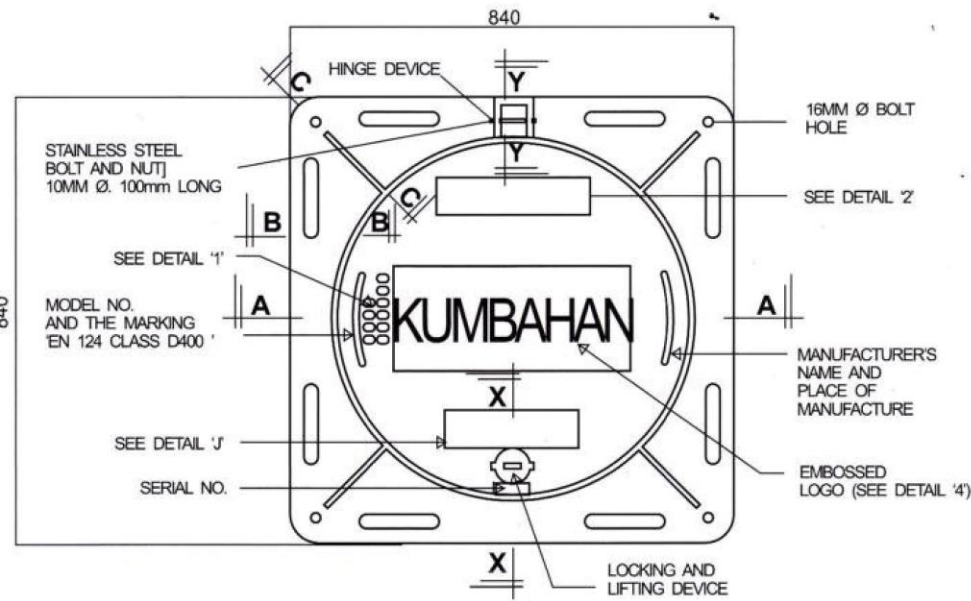
**MODEL : 840mm x 840mm x 600mm Opening x 100mm (H)**



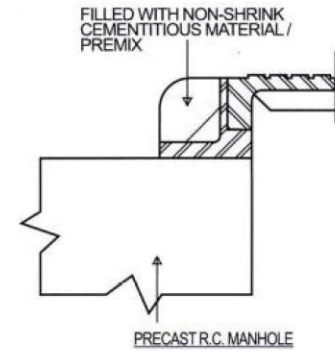
KEKALBOLEH SDN BHD  
(199901021248/496148-K)  
Lot No. 7, Lorong Perindustrian Kolombong Jaya,  
Pusat Perindustrian Kolombong Jaya,  
Mile 5.5, Jalan Kolombong,  
88450 Kota Kinabalu, Sabah.  
Tel/WhatsApp: 088-385555 / 013-8867570  
Website: kekalboleh.com

# PLAN TYPICAL DETAILS OF HEAVY DUTY D.I. MANHOLE COVER AND FRAME

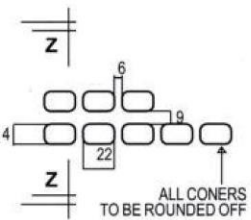
## SECTION A-A TYPICAL SECTION OF HEAVY DUTY D.I. MANHOLE COVER AND FRAME



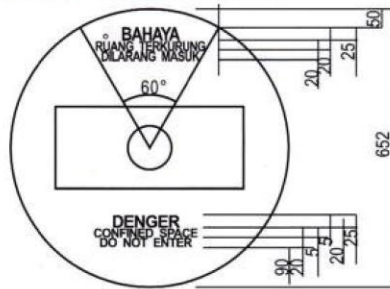
## SECTION B-B



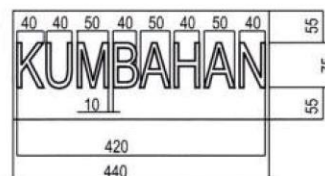
## DETAIL '1' TYPICAL SURFACE DETAIL



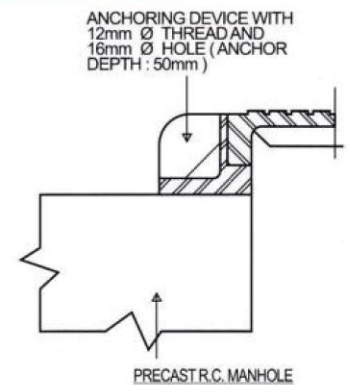
## DETAIL '2' & '3': EMBOSSED DESIGN



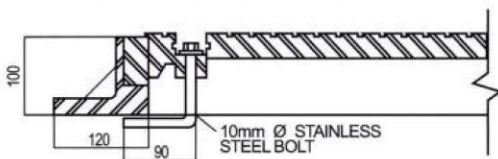
## DETAIL '4' EMBOSSED LOGO



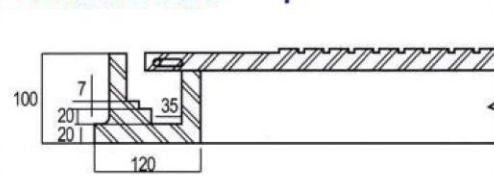
## SECTION C-C



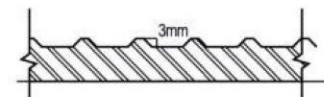
## SECTION X-X : TYPICAL LOCKING DEVICE



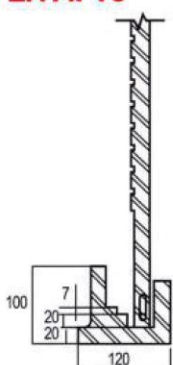
## SECTION Y-Y : TYPICAL HINGE



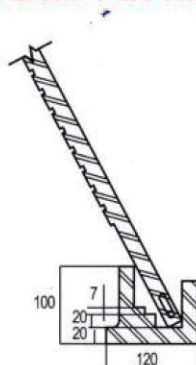
## SECTION Z-Z



## SECTION Y-Y : COVER HINGE OPEN AT 90°



## SECTION Y-Y : COVER HINGE OPEN AT MIN 100°



## COVER



## FRAME

