



AIR VALVES

SINGLE SMALL ORIFICE AUTOMATIC AIR RELEASE VALVE & SINGLE LARGE ORIFICE AIR & VACUUM RELEASE VALVES

Single Small Orifice



Model No. :
 LYE 154 (without Gate Valve)
 LYE 155 (come with Gate Valve)

Single Large Orifice



Model No. :
 LYE 254 (Non-Isolating Valve)
 LYE 255 (c/w Isolating Sluice Valve)

In Brief

Standards

Features

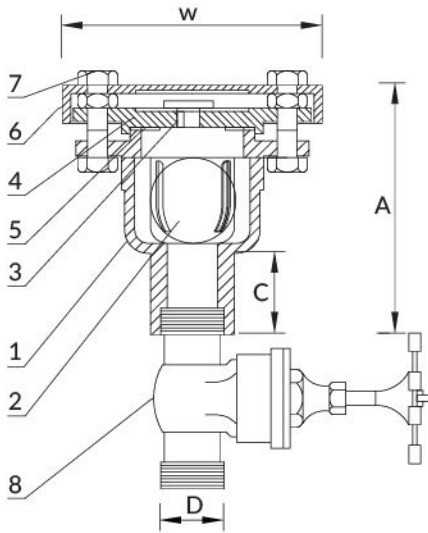
Single Small Orifice	Single Large Orifice
<ul style="list-style-type: none"> ▶ Automatic Air Release Small Pockets of Accumulated Air from Pipeline Operate under Pressure 	<ul style="list-style-type: none"> ▶ For Large Volume of Air Discharging during Pipeline fillings while Pressurizing ▶ For Large Volume of Air Admittance during Pipeline Draining while Depressurizing
<ul style="list-style-type: none"> ▶ Working Pressure : 10/16 Bar ▶ Shell Test Pressure : 15/24 Bar ▶ Seat Test Pressure : 11/17.6 Bar ▶ Minimum Operation Pressure : 0.5 Bar ▶ Coating : Fusion Bonded Epoxy ▶ Sealing : EPDM 	
<ul style="list-style-type: none"> ▶ Design : JKR 20200 - 0097 - 01 ▶ Test : EN 12266-1 	
<ul style="list-style-type: none"> ▶ Thread : BSP 	<ul style="list-style-type: none"> ▶ Flange : EN 1092-2
<ul style="list-style-type: none"> ▶ Range of Valves Sizes from DN20 to DN25 ▶ Standard Valve Version Complete with Gate Valve 	<ul style="list-style-type: none"> from DN50 to DN100 ▶ For Vacuum Prevention & Higher Venting Efficiency
<ul style="list-style-type: none"> ▶ Float Material : ABS 	

SINGLE SMALL ORIFICE | SINGLE LARGE ORIFICE

AUTOMATIC AIR RELEASE VALVE | AIR & VACUUM RELEASE VALVES

Technical Table

Single Small Orifice



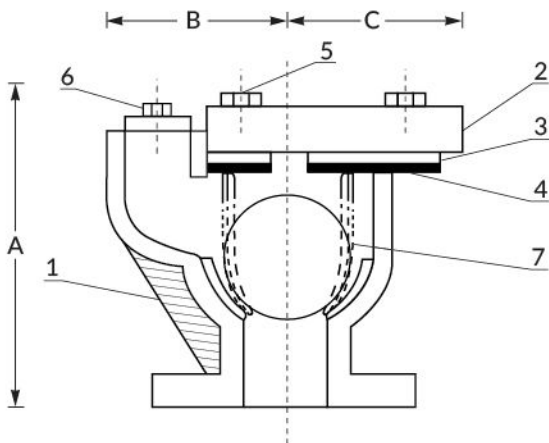
Parts List & Materials

No.	Component	Material	Standard Ref.
1	Body	Ductile Iron	BS EN 1563
2	Float(Ball)	ABS	ISO 2580
3	Air Release Orifice	Ductile Iron	BS EN 1563
4	Plate	Ductile Iron	BS EN 1563
5	Gasket	EPDM	BS EN 681
6	Cover	Ductile Iron	BS EN 1563
7	Bolt & Nut	Hot Dipped Galvanized	BS 4190
8	Gate Valve	Brass	BS 5154

Specifications & Parameters Chart

DN (mm)	A (mm)	W (mm)	D (mm)	Width (mm)
20	215	155	20	105
25	215	155	25	105

Single Large Orifice



Parts List & Materials

No.	Component	Material	Standard Ref.
1	Body	Ductile Iron	BS EN 1563
2	Cover	Ductile Iron	BS EN 1563
3	Plate	Ductile Iron	BS EN 1563
4	Gasket	EPDM	BS EN 681
5	Bolt & Nut	Hot Dipped Galvanized	BS 4190
6	Plug	Stainless Steel	BS EN 10088-3
7	Float(Ball)	ABS	BS 2580

Specifications & Parameters Chart

DN (mm)	A (mm)	B (mm)	C (mm)	Width (mm)
50	275	165	165	215
80	275	165	165	245
100	305	185	185	270

Note: Technical data provided in this brochure is indicative only and may be subject to change without prior notice.