



LYE

FIRE HYDRANTS

2-WAY & 3-WAY PILLAR FIRE HYDRANTS

FOR FIRE PROTECTION SYSTEMS

KEKALBOLEH SDN BHD
 (199901021248/496148-K)
 Lot No. 7, Lorong Perindustrian Kolombong Jaya,
 Pusat Perindustrian Kolombong Jaya,
 Mile 5.5, Jalan Kolombong,
 88450 Kota Kinabalu, Sabah.
 Tel/WhatsApp: 088-385555 / 013-8867570
 Website: kekalboleh.com



**2-WAY
PILLAR HYDRANT**



**3-WAY
PILLAR HYDRANT**

In Brief

- ▶ Standard Plain-Ended Outlet Suitable for Private & Public Installations
- ▶ Pressurised Pillar Hydrant C/W Landing Valves Openings is Commonly Used in Industrial Areas
- ▶ Design for Heavy Duty and Longevity
- ▶ Working Pressure : PN 16
- ▶ Coating : Gloss Finish Paint

Standards

- ▶ Design & Test : SPESIFIKASI JKR 20200-0042-99
- ▶ Flange : EN 1092-2
- ▶ Threads : BSP/NST
- ▶ Landing Valve : BS 5041 Part 1

Features

- | | |
|---|--|
| <ul style="list-style-type: none"> ▶ Pillar Hydrant Size : DN100 ▶ Outlet : V-Shaped Thread | <ul style="list-style-type: none"> ▶ Pillar Hydrant Size : DN150 ▶ Outlet : Round Thread & V-Shaped Thread |
|---|--|
- ▶ Landing Valve Outlet : Female Instantaneous Coupler
 - ▶ Efficient Hydraulic Design Provides Optimun Performance & Maximum Flow
 - ▶ For Fire-fighting System Networks Outside Buildings

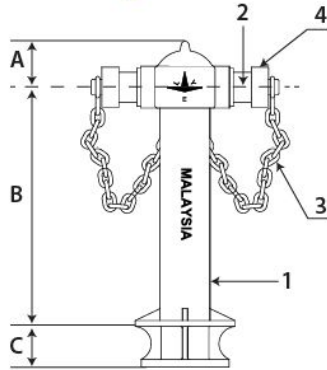


LYE MANUFACTURING SDN.BHD. (197701001852 (32836-H))
 Manufacturer of Valves, Hydrants, Joints, Fittings & Manhole Covers

2-WAY & 3-WAY PILLAR FIRE HYDRANTS FOR FIRE PROTECTION SYSTEMS

Technical Table

2-Way Pillar Hydrant



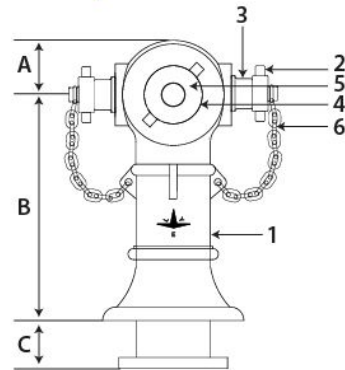
Product Specifications

No.	Component	Material	Standard Ref.
1	Body	Ductile Iron	BS EN 1563
2	Outlet	Gunmetal	BS EN 1216 / BS EN 1982
3	Chain	Galvanised Steel	BS EN ISO 1461
4	Cap	Ductile Iron	BS EN 1563

Technical Data

DN (mm)	A (mm)	B (mm)	C (mm)
100	115	610	102

3-Way Pillar Hydrant



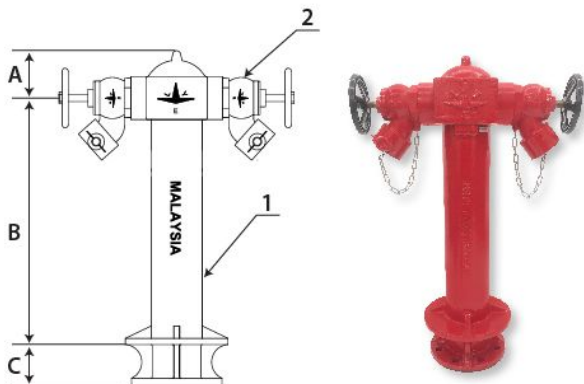
Product Specifications

No.	Component	Material	Standard Ref.
1	Body	Ductile Iron	BS EN 1563
2	Cap	Ductile Iron	BS EN 1563
3	V Thread Outlet	Gunmetal	BS EN 1982
4	Cap	Ductile Iron	BS EN 1563
5	Round / V Thread Outlet	Gunmetal	BS EN 1982
6	Chain	Galvanised Steel	BS EN ISO 1461

Technical Data

DN (mm)	A (mm)	B (mm)	C (mm)
150	135	610	130

Pressurised Pillar Hydrant Complete With Landing Valves



Product Specifications

No.	Component	Material	Standard Ref.
1	Body	Ductile Iron	BS EN 1563
2	Landing Valve	Gunmetal	BS EN 1982 - 1999

Technical Data

DN (mm)	A (mm)	B (mm)	C (mm)
100	115	610	102

Landing Valves



Screwed End Inlet



Flanged End Inlet

Note: Technical data provided in this brochure is indicative only and may be subject to change without prior notice.