

# PILLAR HYDRANT



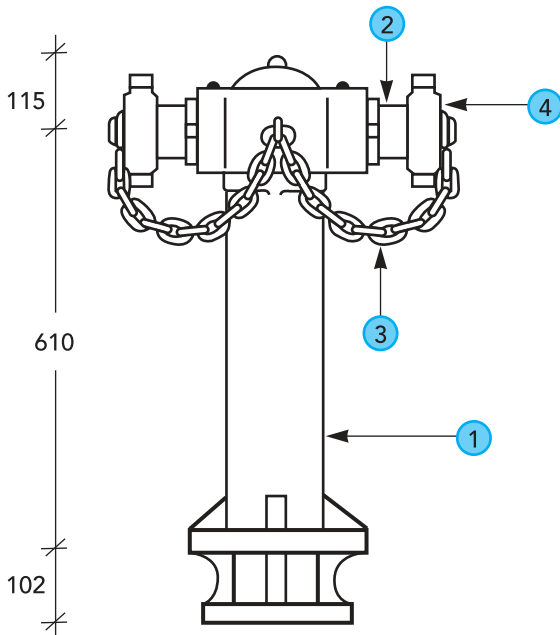
**LYE MANUFACTURING SDN. BHD. (32836-H)**  
Manufacturer of Valves, Hydrants, Joints, Fittings & Manhole Covers.  
Lot 1844, Jalan KPB 8, Kampung Baru Balakong, 43300 Kajang, Selangor Darul Ehsan, Malaysia.  
FACTORY: Tel : 603 - 8961 1623, Fax : 603 - 8961 1092  
SALES: Tel : 603 - 6140 3131 (Hunting Line) Fax : 603 - 6140 5858  
WEBSITE: [www.lye.com.my](http://www.lye.com.my)  
EMAIL: [enquiry@lye.com.my](mailto:enquiry@lye.com.my)



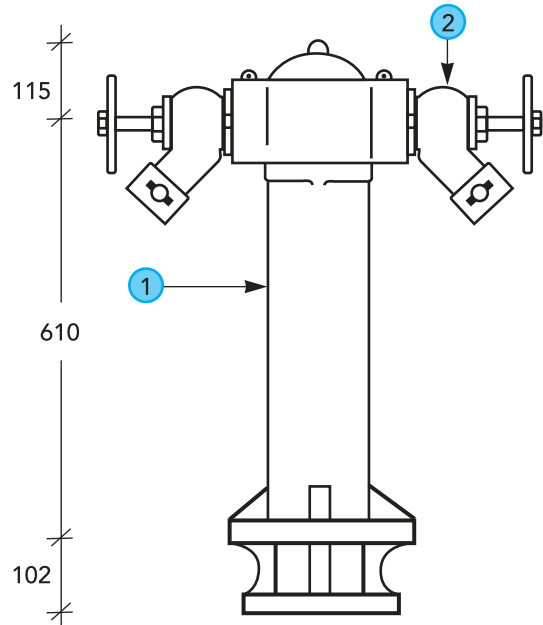
# PILLAR HYDRANT

## PILI BOMBA (TIANG PAIP AIR)

**100mm PILLAR HYDRANT C/W OUTLET**  
Model : 7625

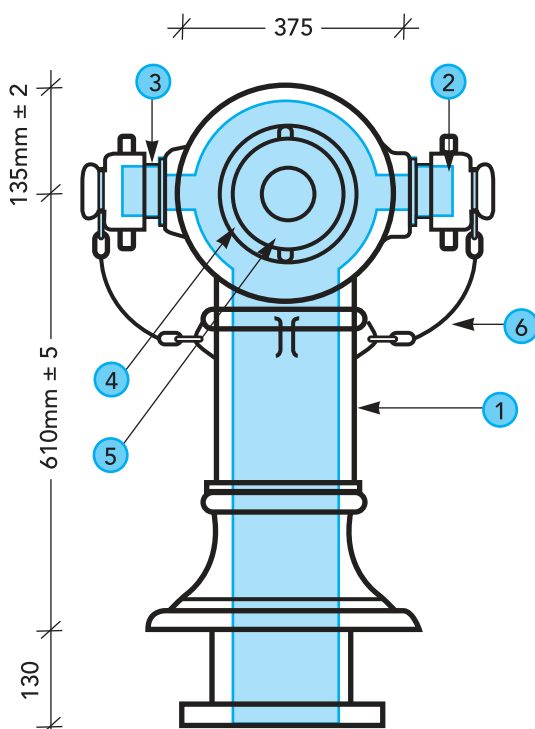


**100mm PILLAR HYDRANT C/W LANDING VALVE**  
Model : 7625 (A)



PARTS MATERIAL ( DIAGRAM 1 )			
NO	DESCRIPTION	MATERIAL	BS. REF. NO.
1	BODY	DUCTILE IRON (DI EN-GJS-500-7)	BS EN 1563
		CAST IRON (EN-GJL-200)	BS EN 1561
2	OUTLET	GUNMETAL (CUSN5ZN5PB5-C)	BS EN 1982
3	CHAIN	GAL IRON	-
4	CAP	DUCTILE IRON (DI EN-GJS-500-7)	BS EN 1563
		CAST IRON (EN-GJL-200)	BS EN 1561

PARTS MATERIAL ( DIAGRAM 2 )			
NO	DESCRIPTION	MATERIAL	BS. REF. NO.
1	BODY	DUCTILE IRON (DI EN-GJS-500-7)	BS EN 1563
		CAST IRON (EN-GJL-200)	BS EN 1561
2	LANDING VALVE	GUNMETAL	BS 5041



**LYE 150MM 3 WAY PILLAR HYDRANT**

PARTS MATERIAL ( DIAGRAM 3 )				
NO	DESCRIPTION	MATERIAL	SIZE (mm)	BS. REF. NO.
1	BODY	DUCTILE IRON (DI EN-GJS-500-7)	150MM	BS EN 1563
		CAST IRON (EN-GJL-200)	150MM	BS EN 1561
2	CAP	DUCTILE IRON (DI EN-GJS-500-7)	65MM V THREAD (F)	BS EN 1563
		CAST IRON (EN-GJL-200)	65MM V THREAD (F)	BS EN 1561
3	OUTLET	GUNMETAL (CUSN5ZN5PB5-C)	65MM V THREAD (M)	BS EN 1982
4	CAP	DUCTILE IRON (DI EN-GJS-500-7)	65MM V THREAD (F)	BS EN 1563
		CAST IRON (EN-GJL-200)	65MM V THREAD (F)	BS EN 1561
5	OUTLET	GUNMETAL (CUSN5ZN5PB5-C)	65MM V THREAD (M)	BS EN 1982
6	CHAIN	GAL IRON	10MM	-

Please Note: Technical data provided is indicative only and may be subject to change without notice